

VOLUME FLOW REGULATOR FOR AIR REGULATION

DESCRIPTION

- Volume flow regulator for infinitely variable air regulation
- For supply or exhaust air
- Insert developed especially for Tecanno air vents
- For use in all tecanno surface-mounted and recessed air vents 100
- Simple click installation
- Can be combined with a filter to allow exhaust air regulation
- Can be replaced by a filter insert with free filtration surface (exhaust air cannot be regulated)
- Protected by patent, made in Germany
- Made of ABS plastic

TECHNICAL DATA

Manufacturer	Tecanno
Type	VOLUME FLOW REGULATOR 100
Dimensions ø (mm)	91
Weight (g)	20
Colour	white
Item No.	10100
<hr/>	
REPLACEMENT FILTER	3M High Air Flow (5x)
Item No.	30100

MATERIAL

Volume flow regulator made of ABS plastic.

i You will find the acoustic data and pressure reductions in the technical data sheets of the vents.

TENDER SPECIFICATION

Tecanno VOLUME FLOW REGULATOR 100 for infinitely variable supply and exhaust air regulation. Can be combined with 3M High Air Flow (HAF) filter. Protected by patent, made in Germany. Made of ABS plastic, white.

Manufacturer: Tecanno

Type: VOLUME FLOW REGULATOR 100

Dimensions ø (mm): 91

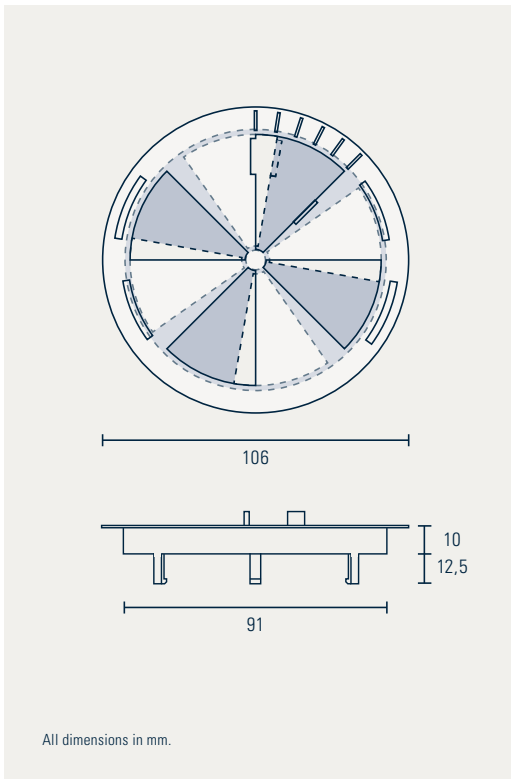
Item No.: 10100

CONFIGURATION

The VOLUME FLOW REGULATOR is inserted into the front of the Tecanno air vent's freely usable cross-section. The vent cover hides it. To set the flow rate, turn the VOLUME FLOW REGULATOR. This enables a variety of acoustic data and pressure reductions. The VOLUME FLOW REGULATOR can be combined with a filter or replaced by a FILTER INSERT with a free filtration surface.



E.g.: Vent ONE and Vent ONE PLUS with VOLUME FLOW REGULATOR



VOLUME FLOW REGULATOR 125

VOLUME FLOW REGULATOR FOR AIR REGULATION

DESCRIPTION

- Volume flow regulator for infinitely variable air regulation
- For supply or exhaust air
- Insert developed especially for Tecanno air vents
- For use in all tecanno surface-mounted and recessed air vents 125
- Simple click installation
- Can be combined with a filter to allow exhaust air regulation
- Can be replaced by a filter insert with free filtration surface (exhaust air cannot be regulated)
- Protected by patent, made in Germany
- Made of ABS plastic

TECHNICAL DATA

Manufacturer	Tecanno
Type	VOLUME FLOW REGULATOR 125
Dimensions ø (mm)	115
Weight (g)	40
Colour	white
Item No.	10125
<hr/>	
REPLACEMENT FILTER	3M High Air Flow (5x)
Item No.	30125

MATERIAL

Volume flow regulator made of ABS plastic.

i You will find the acoustic data and pressure reductions in the technical data sheets of the vents.

TENDER SPECIFICATION

Tecanno VOLUME FLOW REGULATOR 125 for infinitely variable supply and exhaust air regulation. Can be combined with 3M High Air Flow (HAF) filter. Protected by patent, made in Germany. Made of ABS plastic, white.

Manufacturer: Tecanno

Type: VOLUME FLOW REGULATOR 125

Dimensions ø (mm): 115

Item No.: 10125

CONFIGURATION

The VOLUME FLOW REGULATOR is inserted into the front of the Tecanno air vent's freely usable cross-section. The vent cover hides it. To set the flow rate, turn the VOLUME FLOW REGULATOR. This enables a variety of acoustic data and pressure reductions. The VOLUME FLOW REGULATOR can be combined with a filter or replaced by a FILTER INSERT with a free filtration surface.



E.g.: Vent ONE and Vent ONE PLUS with VOLUME FLOW REGULATOR

