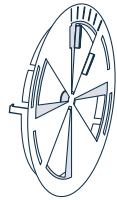
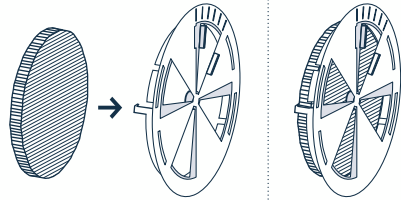


VOLUME FLOW REGULATOR 100/125



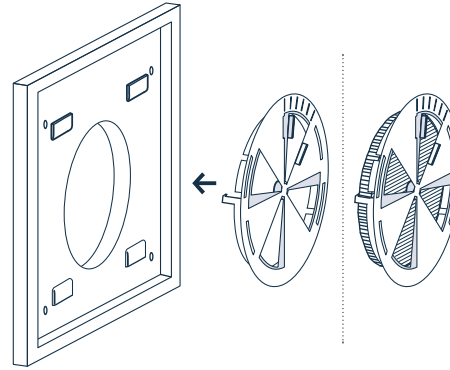
Volume flow regulator

Volume flow regulator for air regulation from Tecanno recessed and surface-mounted vents.



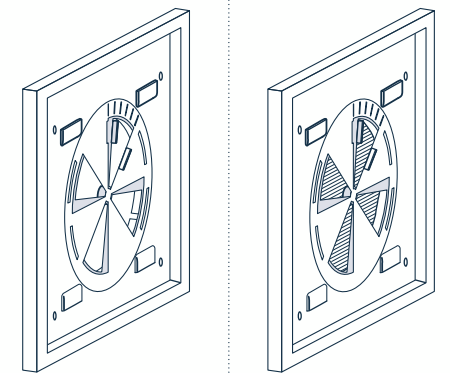
Volume flow regulator and filter

The volume flow regulator can be combined with a High Air Flow (HAF) filter from 3M. To do this, insert the filter into the back of the volume flow regulator.



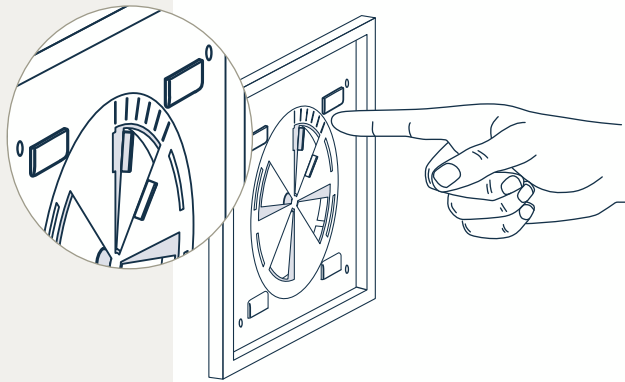
1

Press the volume flow regulator – with the filter as required – into the front of the empty vent connecting piece (e.g. Vent ONE) until it clicks into place.



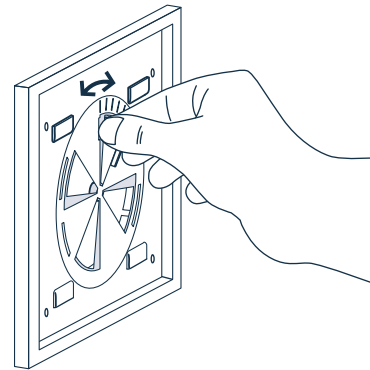
2

The volume flow regulator is harmonized with Tecanno air vents and can be inserted into recessed and surface-mounted vents (100/125).



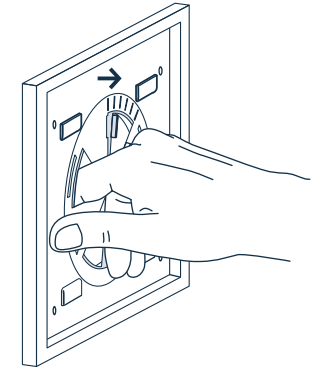
3

The volume flow regulator is infinitely variable. The markings on the edge of the volume flow regulator are orientation for setting the air current. They indicate the flow rate from 0 to 100 percent in increments of 20.



4

To regulate the supply and exhaust air, turn the volume flow regulator setting ring as required. If the volume flow regulator is combined with a filter, the exhaust air can be regulated and filtered at the same time.



5

To remove the volume flow regulator, put your finger through the opened volume flow regulator and reach behind it. If there is a filter in it, reach carefully between the volume flow regulator and the filter. Press your thumb against the vent. Use the pressure of your thumb to carefully release the volume flow regulator from the connecting piece. The volume flow regulator is reusable. The filter can be exchanged with a replacement filter. **CAUTION:** Pressing with the index finger can cause the filter to fall when you are removing the volume flow regulator!



→ INSTALLATION

VOLUME FLOW REGULATOR 100/125