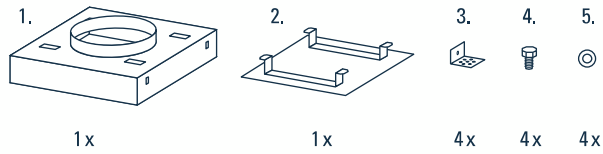
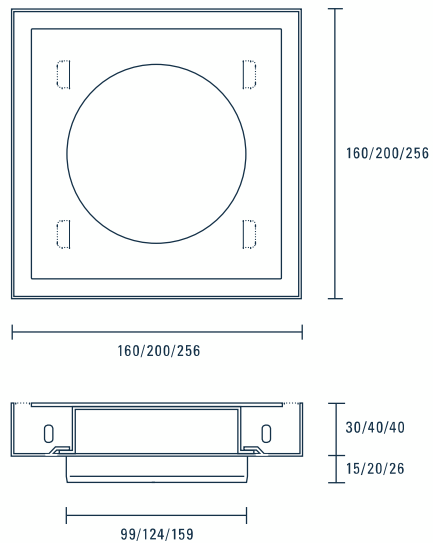


VENT ONE PLUS 100/125/160



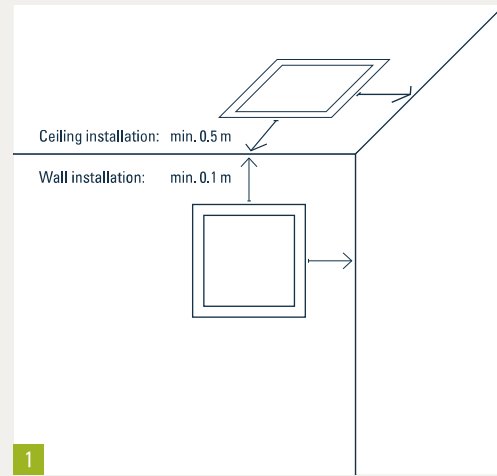
Scope of delivery

- 1. Vent housing (1 x)
- 2. Vent cover (1 x)
- 3. Perforated metal angle (4 x)
- 4. Vent bolts (4 x)
- 5. Washers (4 x)



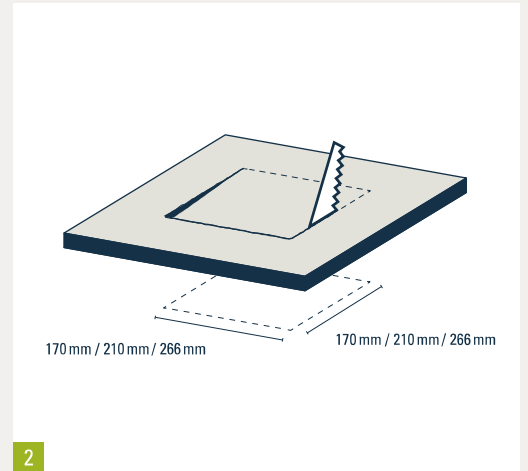
Technical drawing Vent ONE PLUS 100/125/160

All dimensions in mm.



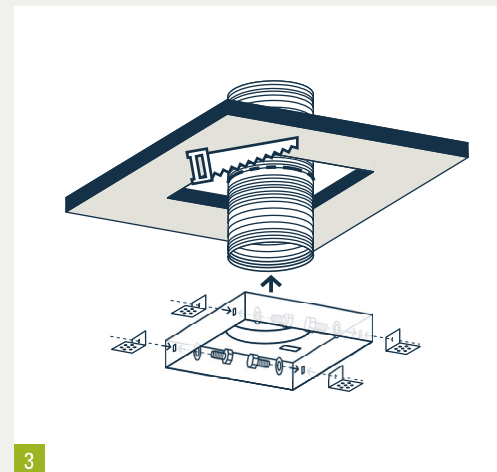
1

Recommended installation for supply air:
Ceiling installation at least 0,5 m distance from both sides of corner to vent edges. Wall installation at least 0.1 m distance from both sides of corner to vent edges. For exhaust air, no minimum distance.



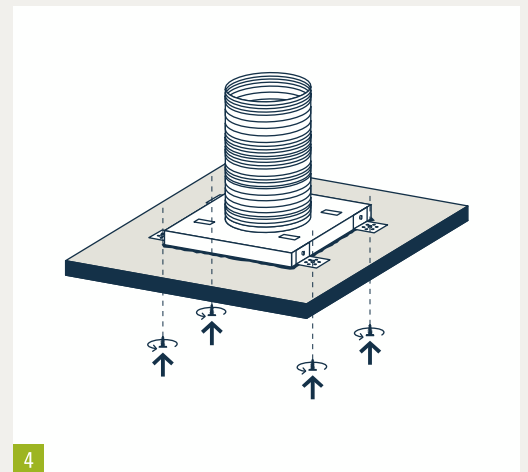
2

Make a cut-out in the drywall ceiling.
Dimensions:
170 mm x 170 mm (Vent ONE PLUS 100)
or 210 mm x 210 mm (Vent ONE PLUS 125)
or 266 mm x 266 mm (Vent ONE PLUS 160)



3

Use the vent bolts and washers that come with the vent to loosely fasten all four perforated metal angles to the long holes at the sides of the vent. Cut the flexible tubing to size and use sealing tape to fasten it to the vent connecting piece.



4

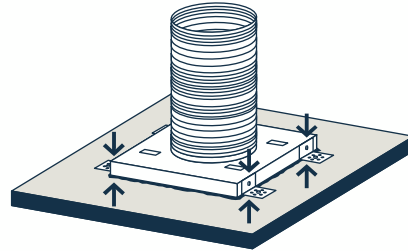
Screw the vent housing into the cut-out in the ceiling (screws not included).



→ INSTALLATION INSTRUCTIONS
FOR DRYWALL

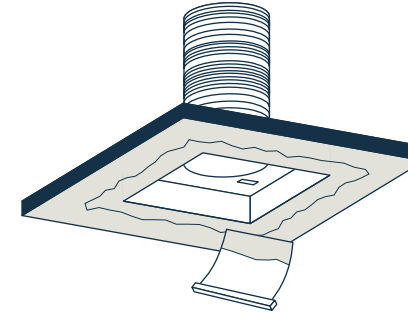
VENT ONE PLUS
100/125/160

→



5

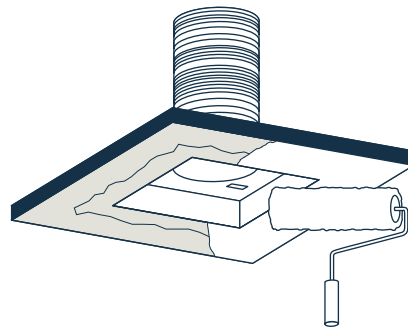
Use the long holes to adjust the housing to be flush with the ceiling. Tighten the vent bolts.



⚠ Do not damage the powder coating on the vent.

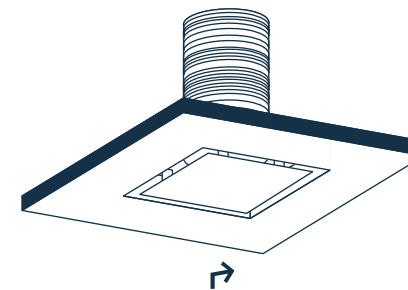
6

Fill the gaps between the housing and the ceiling.



7

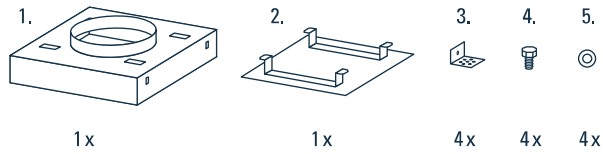
Now sand the seam and paint it. After you have primed it, you can also paint the cover.



8

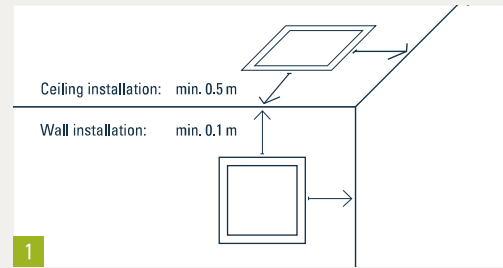
Snap the cover on (see instructions).

VENT ONE PLUS 100/125/160



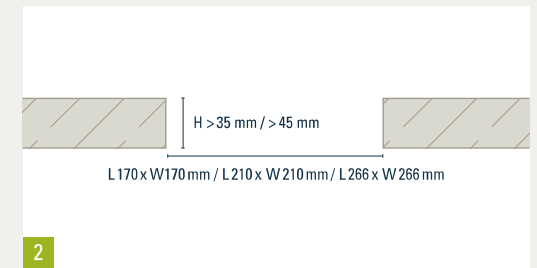
Scope of delivery

- 1. Vent housing (1 x)
- 2. Vent cover (1 x)
- 3. Perforated metal angle (4 x)
- 4. Vent bolts (4 x)
- 5. Washers (4 x)



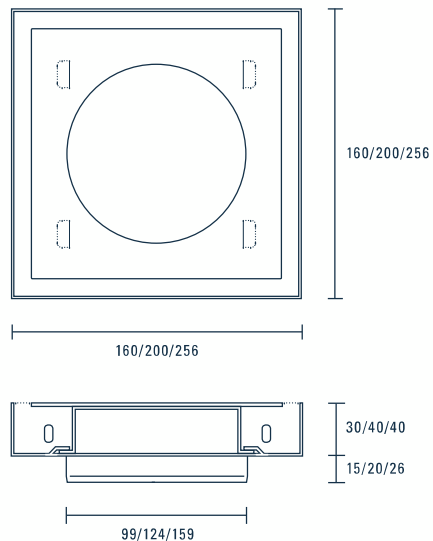
1

Recommended installation for supply air:
Ceiling installation at least 0.5 m distance from both sides of corner to vent edges. Wall installation at least 0.1 m distance from both sides of corner to vent edges. For exhaust air, no minimum distance.



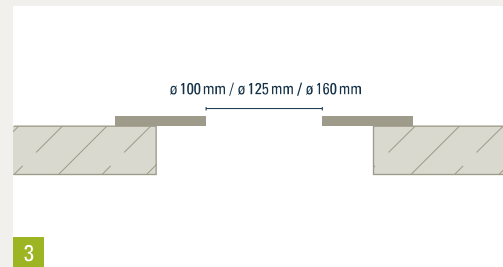
2

Build a filigran precast unit with a square opening.
Dimensions:
L 170 mm x W 170 mm x H > 35 mm (Vent ONE PLUS 100)
or L 210 mm x W 210 mm x H > 45 mm (Vent ONE PLUS 125)
or L 266 mm x W 266 mm x H > 45 mm (Vent ONE PLUS 160)



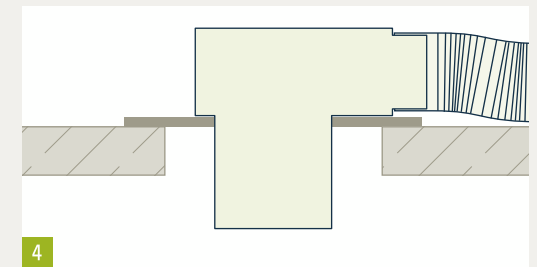
Technical drawing Vent ONE PLUS 100/125/160

All dimensions in mm.



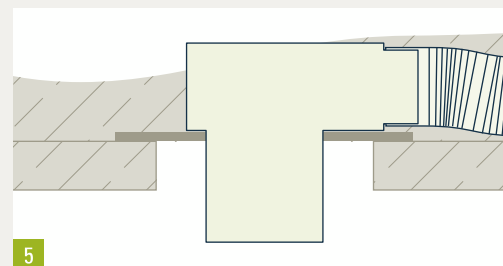
3

Place a sheet (not organic material) with a circular cut-out on it.
Cutout:
ø 100 mm (Vent ONE PLUS 100)
or ø 125 mm (Vent ONE PLUS 125)
or ø 160 mm (Vent ONE PLUS 160)



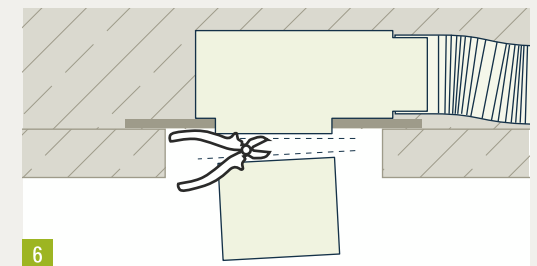
4

Insert the ceiling box into the circular cut-out and centre it accurately.
Connect the ceiling box to the ventilation system.



5

Pour the concrete ceiling.
Caution: Secure the ceiling box with sheet (not organic) against slipping.



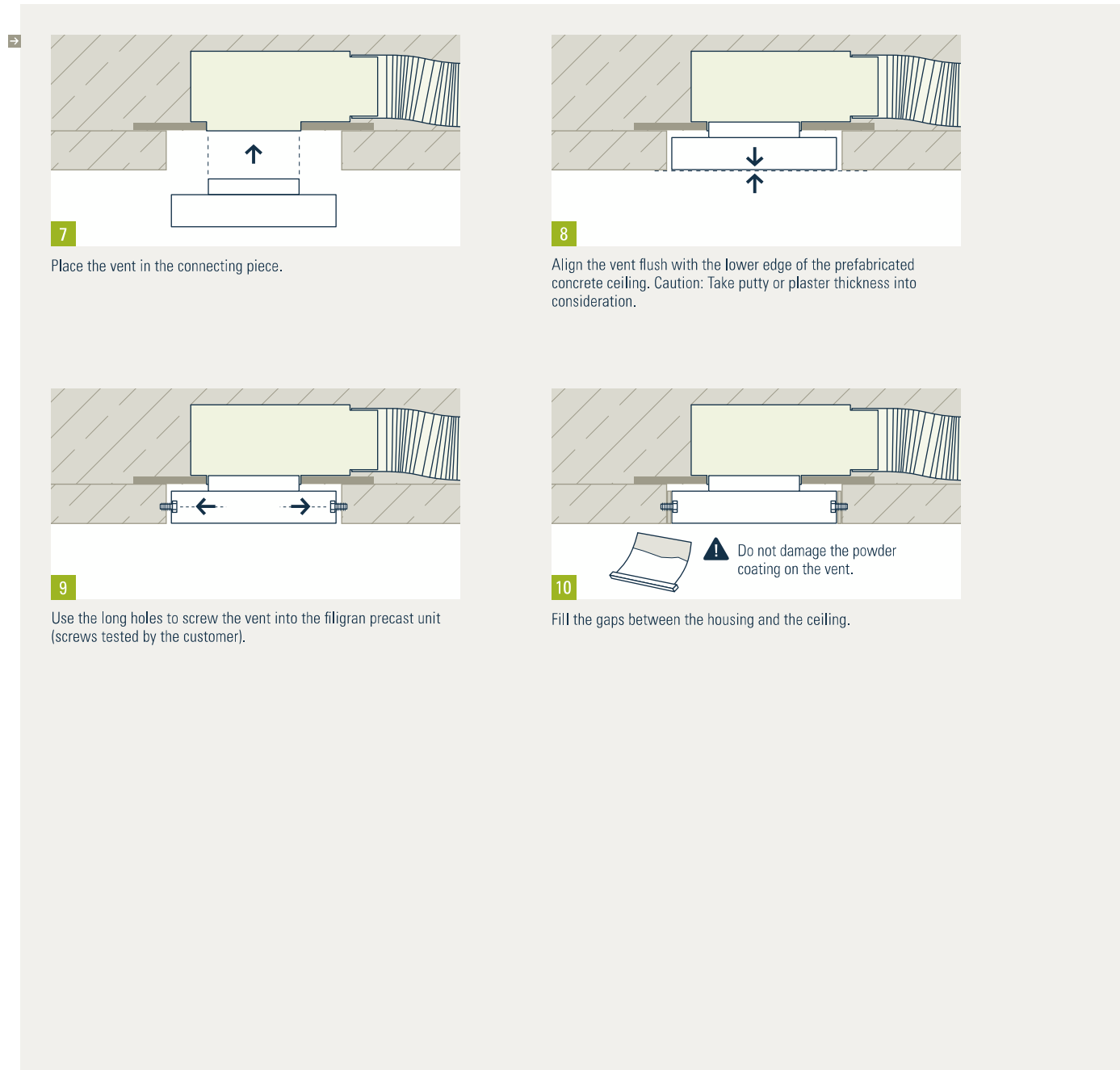
6

Shorten the ceiling box connecting piece.

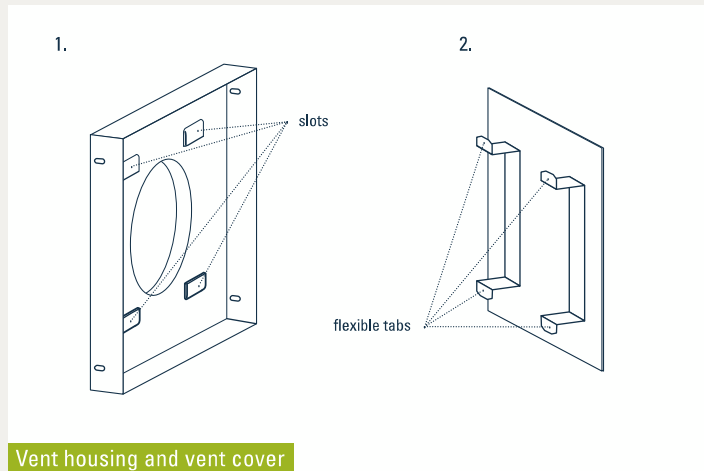


→ INSTALLATION INSTRUCTIONS
FOR SOLID CONSTRUCTION

VENT ONE PLUS
100/125/160

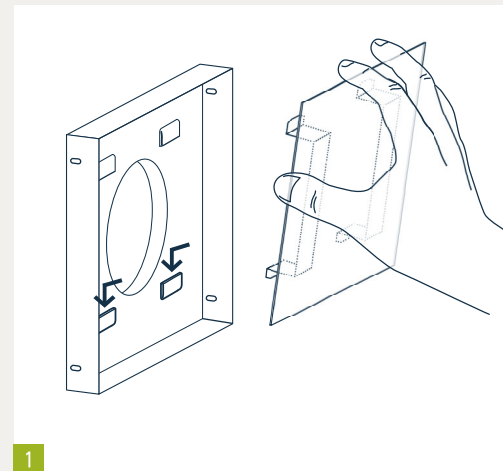


VENT ONE PLUS 100/125/160



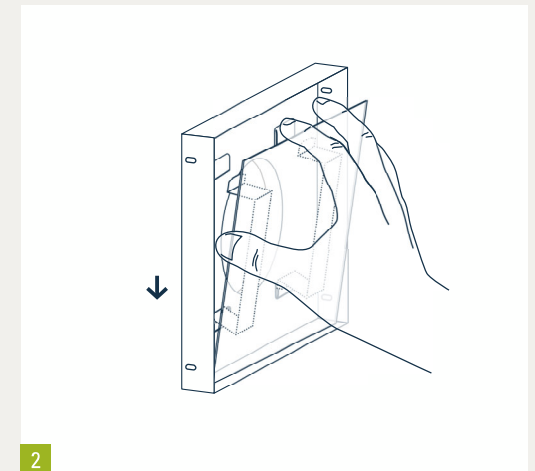
Vent housing and vent cover

Vent ONE PLUS 100/125/160 consisting of
1. Vent housing with four slots
2. Vent cover with four flexible tabs.



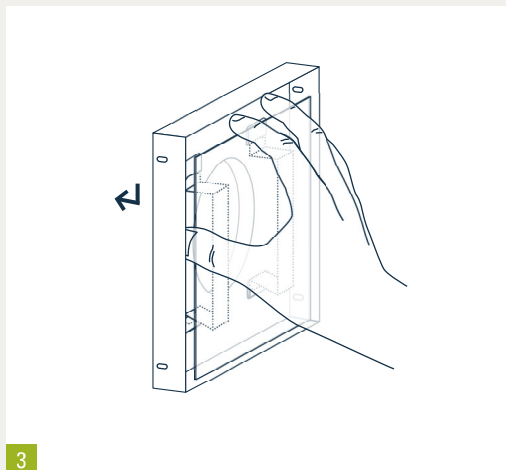
1

Hold the cover firmly on the right and left side. With your index and middle fingers, guide the vent cover tabs to the slots and insert them. Hold the cover at a slight angle.



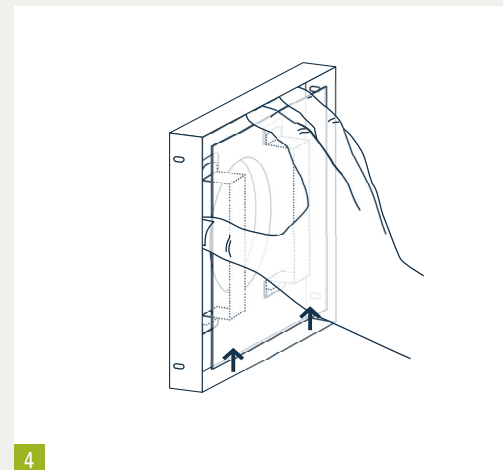
2

Keeping the cover slightly tilted, pull it down toward the lower flexible tabs.



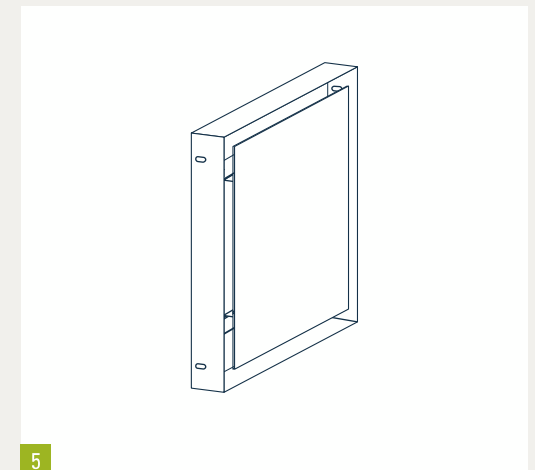
3

Lean the cover onto the vent.



4

Insert the two flexible tabs into the free slots.



5

Now the cover is firmly in position.



→ COVER INSTALLATION

VENT ONE PLUS 100/125/160