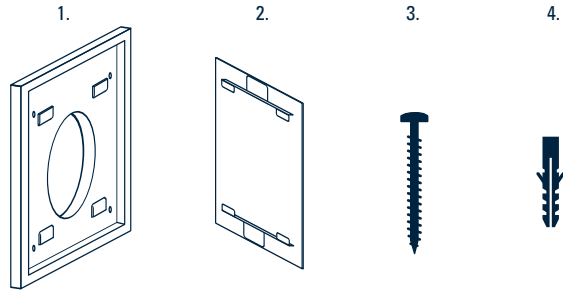
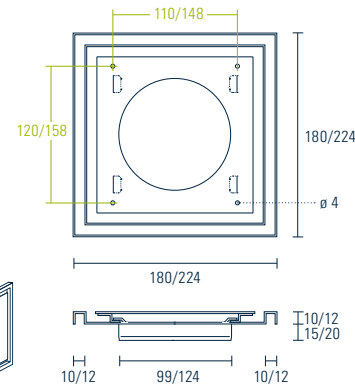


# VENT ONE 100/125 (THREE 100/125, FIVE 100, FRAME 100)



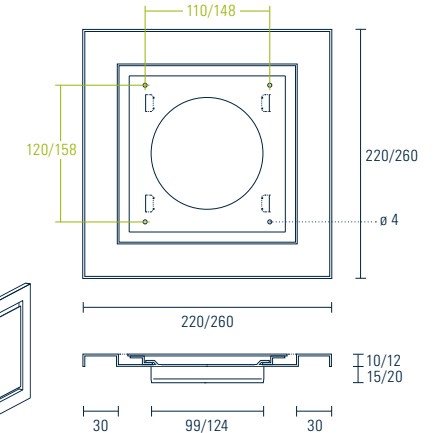
**Scope of delivery**

- 1. Vent housing (1x), e.g. Vent ONE
  - 2. Vent cover (1x)
  - 3. Vent bolts PZ, galvanised\* (4x)
  - 4. Expansion anchor F Nylon\* (4x)
- \*Suitability tested by the customer.



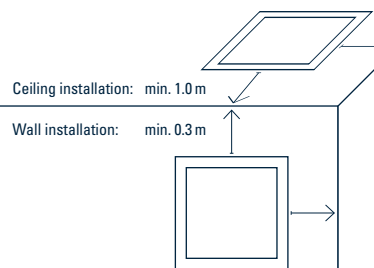
**Vent ONE 100/125**

Technical drawing  
All dimensions in mm



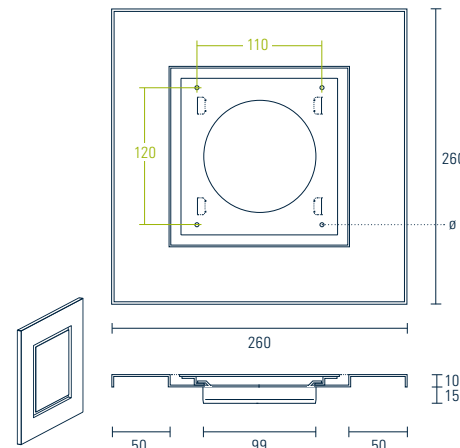
**Vent THREE 100/125**

Technical drawing  
All dimensions in mm



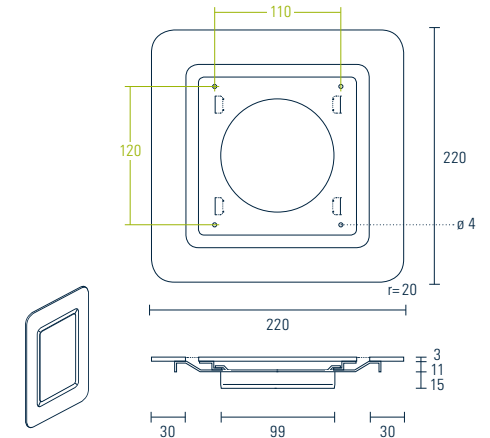
**Recommended installation for supply air**

Ceiling installation at least 1.0 m distance from both sides of corner to vent edges.  
Wall installation at least 0.3 m distance from both sides of corner to vent edges.  
For exhaust air, no minimum distance.



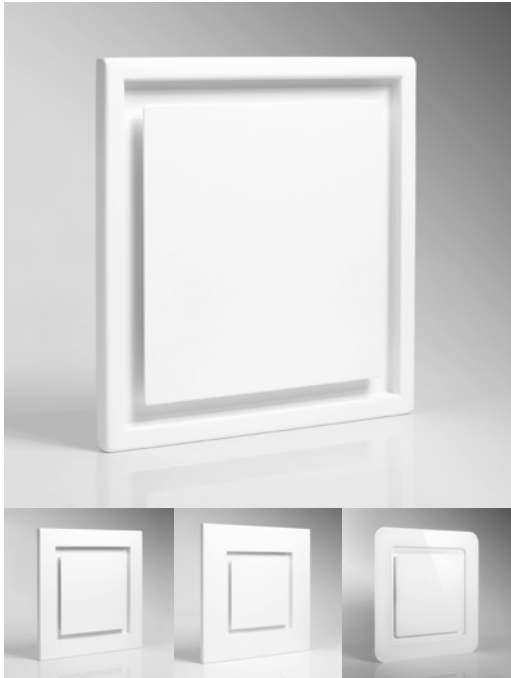
**Vent FIVE 100**

Technical drawing  
All dimensions in mm



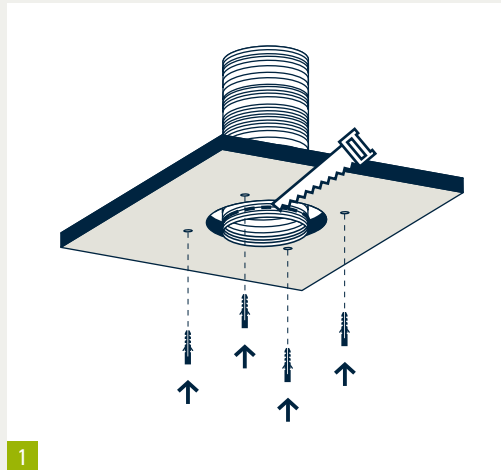
**Vent FRAME 100**

Technical drawing  
All dimensions in mm



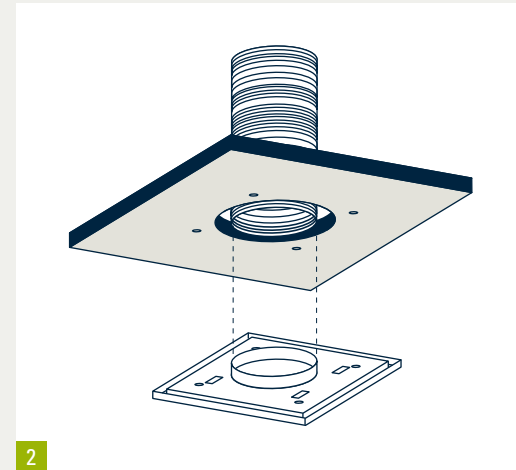
→ INSTALLATION INSTRUCTIONS  
FOR CEILING AND WALL

**VENT ONE 100/125**  
**VENT THREE 100/125**  
**VENT FIVE 100**  
**VENT FRAME 100**



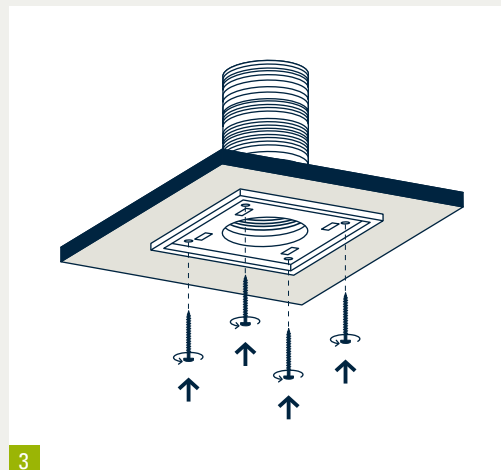
1

Shorten the vent pipe as necessary. Mark the screw holes ( $\varnothing$  4 mm) of the vent and drill pilot holes in the right size for your screws. Insert the expansion anchor. Appropriate for all solid materials. Suitability tested by the customer.



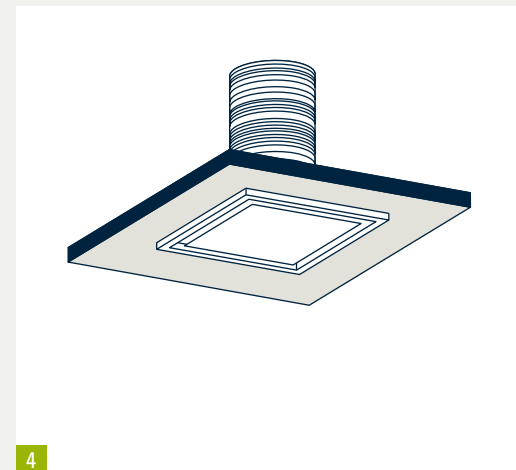
2

Insert the vent housing into the vent pipe and fix it with a sealing tape (provided by the customer).



3

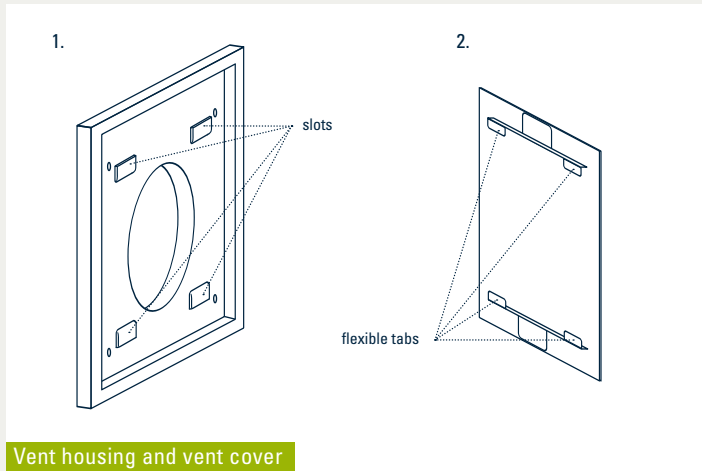
Screw the vent housing on the ceiling or wall. Suitability tested by the customer.



4

Snap the cover on (see instructions).

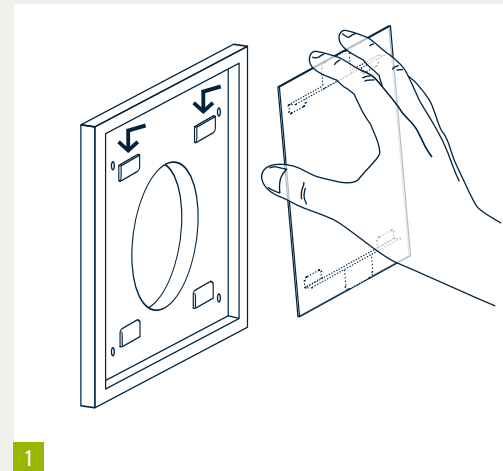
# VENT ONE 100/125 (THREE 100/125, FIVE 100, FRAME 100)



### Vent housing and vent cover

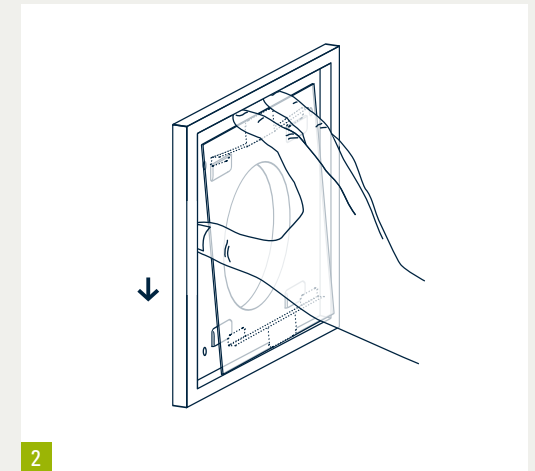
Vent ONE 100/125 consisting of  
1. Vent housing with four slots  
2. Vent cover with four flexible tabs.

Cover installation of vents THREE 100/125, FIVE 100 and FRAME 100 in the same way.



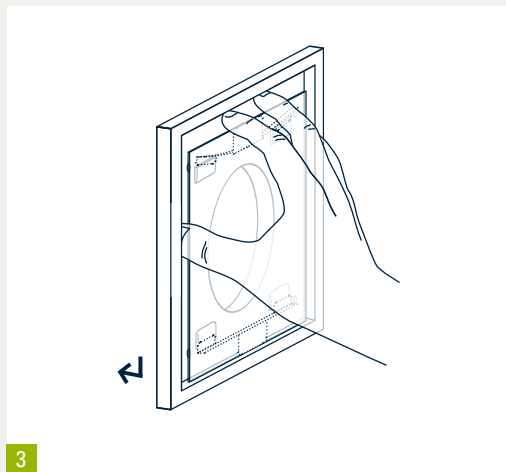
1

Hold the cover firmly on the right and left side. With your index and middle fingers, guide the top vent cover tabs to the top slots and insert them. Hold the cover at a slight angle.



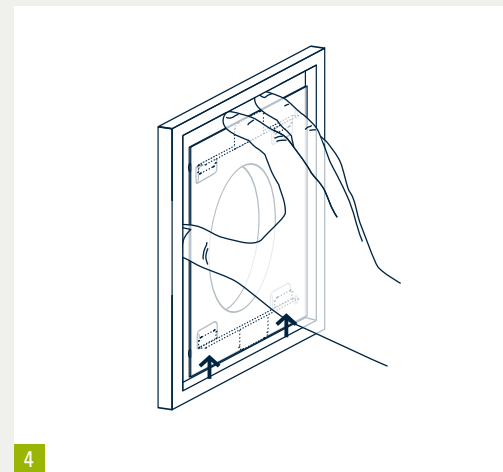
2

Keeping the cover at a slight angle and the tabs inserted, pull the cover toward the other two flexible tabs.



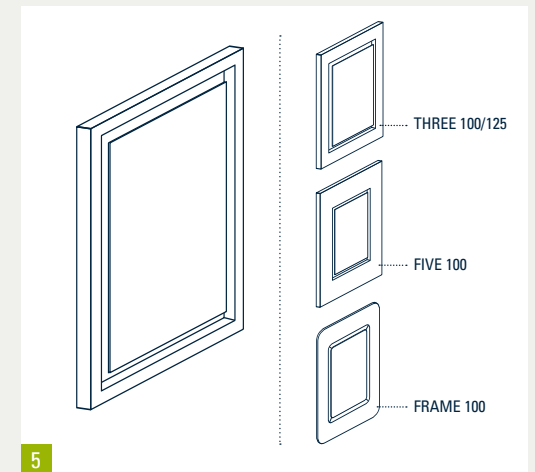
3

Lean the cover onto the vent.



4

Insert the two flexible tabs into the free slots.



5

Now the cover is firmly in position.



➔ COVER INSTALLATION

- VENT ONE 100/125
- VENT THREE 100/125
- VENT FIVE 100
- VENT FRAME 100