



Nordic S7

ART.NO. 800140, 800141

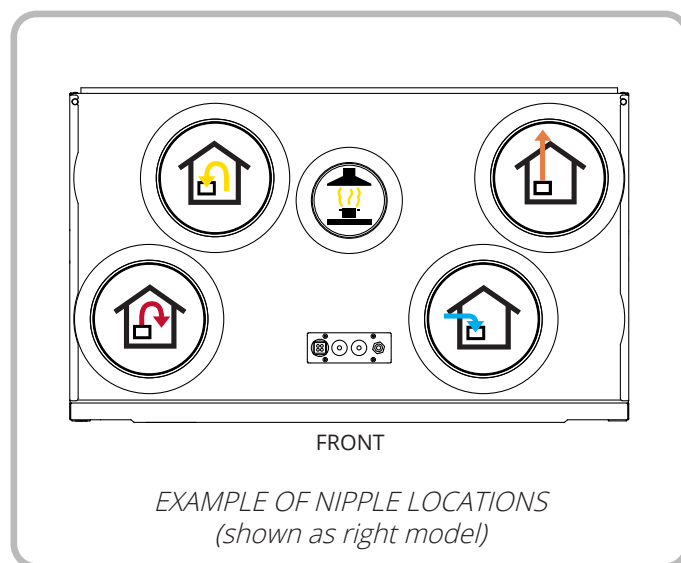
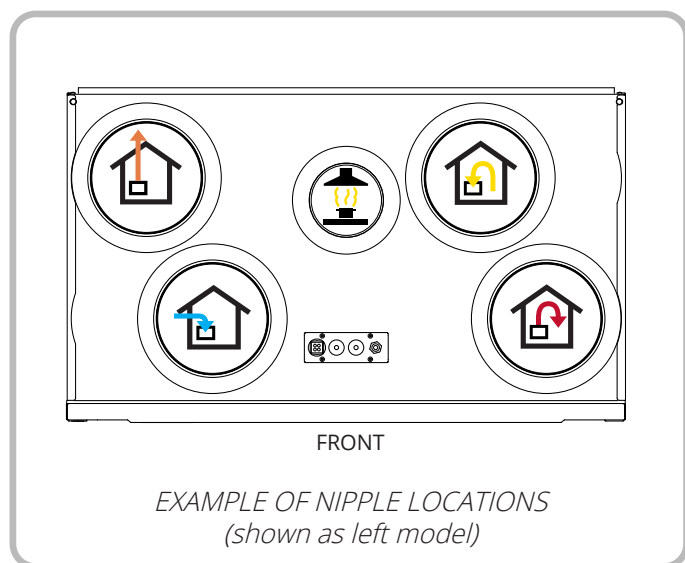
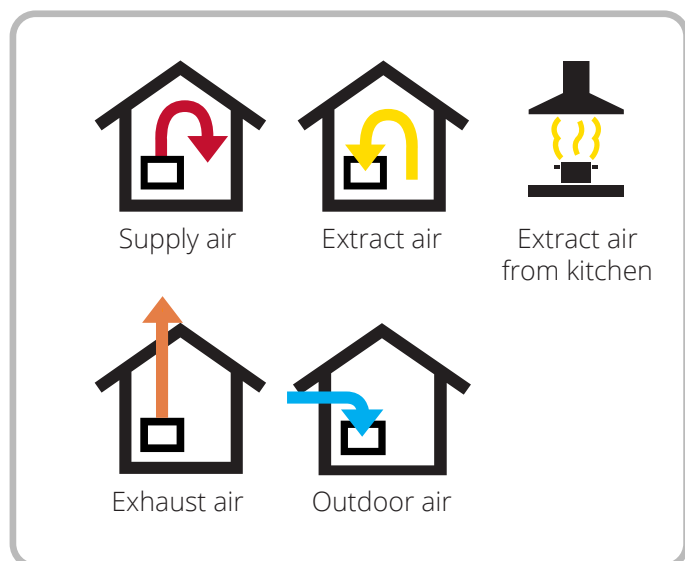
EN **USER MANUAL**
Air handling unit


Contents


1.	Automatic control.....	6
2.	Functional description of balanced ventilation	7
2.1.	Fans (M1, M2)	7
2.2.	Filters (FI1, FI2).....	7
2.3.	Rotating heat exchanger (HR-R).....	7
2.4.	Heating element (EB).....	7
2.5.	Temperature sensors (B1, B3/H1, B4, B6).....	7
2.6.	For use with dampers.....	7
2.6.1.	Damper (DA1).....	7
2.6.2.	Damper (DA2).....	7
2.7.	Kitchen fan.....	7
2.8.	Adjustment of airflows.....	7
3.	Operating the door	8
3.1.	If a door needs to be removed	9
4.	Cleaning and maintenance	10
4.1.	Information for buyers and users	10
4.1.1.	Selecting filters for residential ventilation units	10
4.1.2.	The importance of filters in ventilation systems	10
4.1.3.	Responsibility for choosing the right filter	10
4.1.4.	Requirements for filters used in Flexit ventilation units	10
4.1.5.	Known issues with incorrect filter use and warranty claims	11
4.2.	Changing the filters	11
4.3.	Cleaning the fans	12
4.4.	Changing the brush strips	14
4.5.	Cleaning the rotating heat exchanger	16
4.6.	External cleaning.....	16
5.	Maintenance table	17
6.	Troubleshooting	18
7.	Complaints	19
8.	Waste handling.....	19


Symbols used


These products bear a number of symbols used for labelling the actual product and in installation and user documentation.



 **DANGER!** When a text box is this colour, it means that a life-threatening or serious personal injury may be the consequence of not following the instructions.

 **NOTICE!** When a text box is this colour, it means that a poor utilisation ratio or product operating issues may be the consequence of not following the instructions.

 **CAUTION!** When a text box is this colour, it means that material damage may be the consequence of not following the instructions.

 **INFO!** When a text box is this colour, it means that it contains important information.



SAFETY INSTRUCTIONS



- To avoid the risk of fire, electric shock or injury, read all the safety instructions and warning texts before using the unit.

- There is a fire risk if cleaning is not carried out in accordance with the instructions.
- All electrical connections must be carried out by qualified electricians.
- If the power lead is damaged, it must be replaced by the manufacturer, the manufacturer's service agent or a similarly qualified person.
- The unit must not be used to extract combustible or flammable gases.
- **WARNING!** Accessible parts may become hot when used together with kitchen equipment.
- Do not flame food under the kitchen hood.
- It is the installer's responsibility to carry out a full safety and function assessment of the appliance.
- **WARNING!** Failure to install the screws or fixing device in accordance with these instructions may result in electrical hazards.
- Follow the current regulations for extract air.
- Before opening the door: The product must be set to service mode and powered off because the unit contains elements that must not be touched when hot. Refer to the user manual for FlexitGO.
- Connection/disconnection to supply mains and interconnection of separate components must be possible.
- It must be possible to disconnect the device after installation, either through an available plug or an all-pole switch on fixed installation.
- This appliance may be used by children of 8 years or above or by persons with reduced sensory capacity or reduced physical or mental capacity, or by persons lacking experience or knowledge, provided they have received instruction in the safe use of the appliance or are supervised to ensure safe use and providing they are aware of the

risks.

- The product is not suitable for use by children. Children must not be allowed to play with the appliance. Children must not carry out cleaning or maintenance without supervision.
- That precautions must be taken to avoid the back-flow of gases into the room from the open flue of gas or other fuel-burning appliances (for duct and partition fans).



- This unit is only designed for ventilation air in homes and commercial buildings.

- To maintain a good indoor climate, comply with regulations and avoid condensation damage, the unit must never be stopped apart from during service/maintenance or in connection with an accident.
- The unit must not be operated without the filters being in place.
- All plumbing work must be carried out by an authorised plumber.
- The location of the water battery must be approved by a plumber owing to the risk of water leaks.



- Tumble dryers must not be connected to the unit.
- The room must have a separate, adequate air supply when products such as gas cookers, gas heaters, fireplaces, wood-burning stoves, oil-fired boilers, etc., are used.



- If the supply cord is damaged, it must be replaced by the manufacturer, its service agent or similarly qualified persons in order to avoid a hazard.

- **Applicable for Germany market only:** When the range hood and appliances supplied with energy other than electricity are simultaneously in operation, the negative pressure in the room must not exceed 4 Pa (4×10^{-5} bar).

1. Automatic control

These instructions only describe how to use the ventilation unit and do not go into the details of installing/using automatic control.

There are also automatic functions on the product which, if necessary, can override the selected operating mode of the product.

For more information on the automatic control system, see www.flexit.com.



User manual
Flexit GO

- **Flexit GO app**
To control the ventilation unit via a smartphone/tablet, download the app from Google Play or the App Store. See startup guide for installer (116628) and startup guide for end user (116908).

- **NordicPanel control panel (accessory)**
See manual (120018).

Flexit GO-app



Google Play



App Store



For installer, see startup guide (116628).
For end user, see startup guide (116908).

NordicPanel control panel (accessory)



Installation instructions
NordicPanel



2. Functional description of balanced ventilation

2.1. FANS (M1, M2)

The fans ensure that air enters and leaves the building. They can be individually adjusted for optimal operation. The unit can be regulated at 3 different speeds via the control panel: Home, Away, High.

2.2. FILTERS (F11, F12)

Filters with a high filter grade are used as standard for both supply air and extract air so that the air which enters the building is clean. The filters also ensure that the unit stays clean and can maintain thermal efficiency and air flow.

2.3. ROTATING HEAT EXCHANGER (HR-R)

The air passes through the rotary wheel-type heat exchanger (recovery system). The rotating heat exchanger functions as a heat magazine. The heat from the extract air heats up one part of the rotating heat exchanger. When the heated part comes over to the supply air side, the heat is transferred to the supply air.

2.4. HEATING ELEMENT (EB)

If the energy recovered from the extract air is insufficient to maintain the set supply air temperature, an electric heating element will help raise the temperature. The heating element is protected against overheating by the thermostat (F20) which cuts out at high temperature. For extra safety, the thermostat (F10) cuts out at critical temperatures. Thermostat F10 needs to be reset manually by pressing the reset button. See Reset button on page 18.

2.5. TEMPERATURE SENSORS (B1, B3/H1, B4, B6)

As standard, the unit has four temperature sensors. The supply air sensor (B1) registers the temperature after the heating battery. The extract air sensor (B3/H1) registers the temperature and relative humidity of the extract air. The outdoor air sensor (B4) registers the temperature of the outdoor air. The exhaust air sensor (B6) registers the temperature of the exhaust air.

2.6. FOR USE WITH DAMPERS

2.6.1. Damper (DA1)

There is a closing air damper in the exhaust air duct to prevent cold draughts.

2.6.2. Damper (DA2)

There is a closing air damper in the outdoor air duct to prevent cold draughts.

If a water battery is used, the damper prevents frost damage to the battery.



Adjustment must always be carried out by qualified staff before the installation is used for the first time.

2.7. KITCHEN FAN

To reduce the risk of negative pressure in the home, when using a kitchen fan with an air volume above approx. 200m³/h is compensated for this with, for example, an outdoor air valve in the wall.

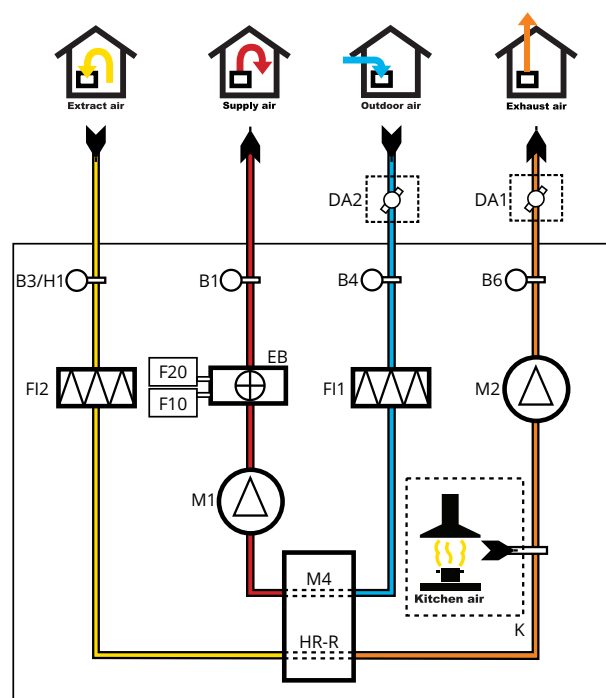
2.8. ADJUSTMENT OF AIRFLOWS

Operating modes must be adjusted to ensure that the unit functions correctly. Airflows must be adjusted according to applicable national requirements by qualified personnel.



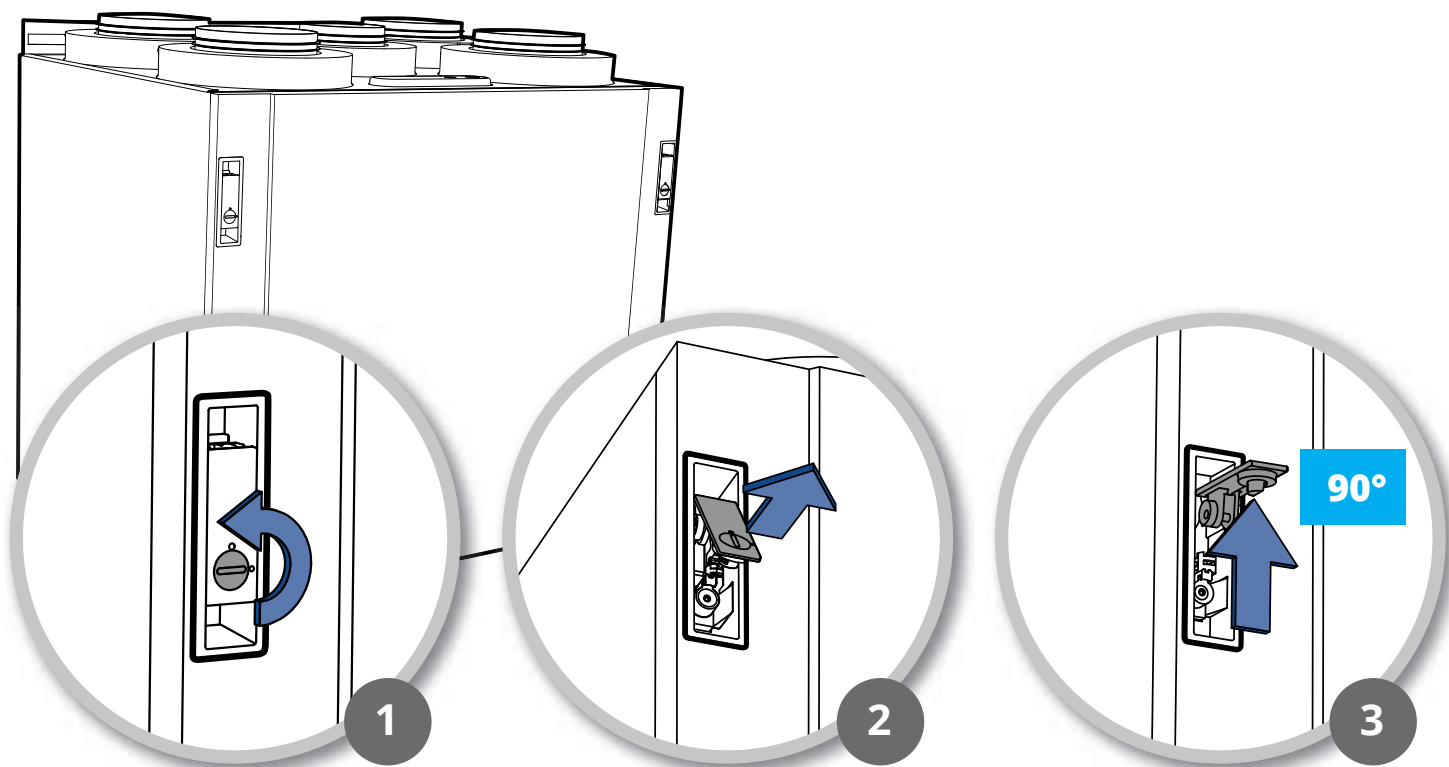
Insufficient/incorrect settings may cause damage to the product and the property, thereby affecting the outcome of a potential claim.

Damages resulting from a misadjusted ventilation system may lead to the rejection of a potential claim. For adjustment of ventilation modes, refer to the automation guide.



3. Operating the door

1. Turn the screw in the lock 90°.
2. Flip up the lock handle
3. The lock handle needs to be lifted right up to release. Therefore press the lock handle right up while opening the door.



3.1. IF A DOOR NEEDS TO BE REMOVED

The door can be lifted off when it is open between 40° and 105° (see Fig. 1).

If there is limited space in front of the unit, the lock screw on the underside of the unit can be unscrewed (see Fig. 2) and the door pushed out sideways (see Fig. 3). In this case it can be open less than 40°.



The door weighs 11 kg – take care when removing it.

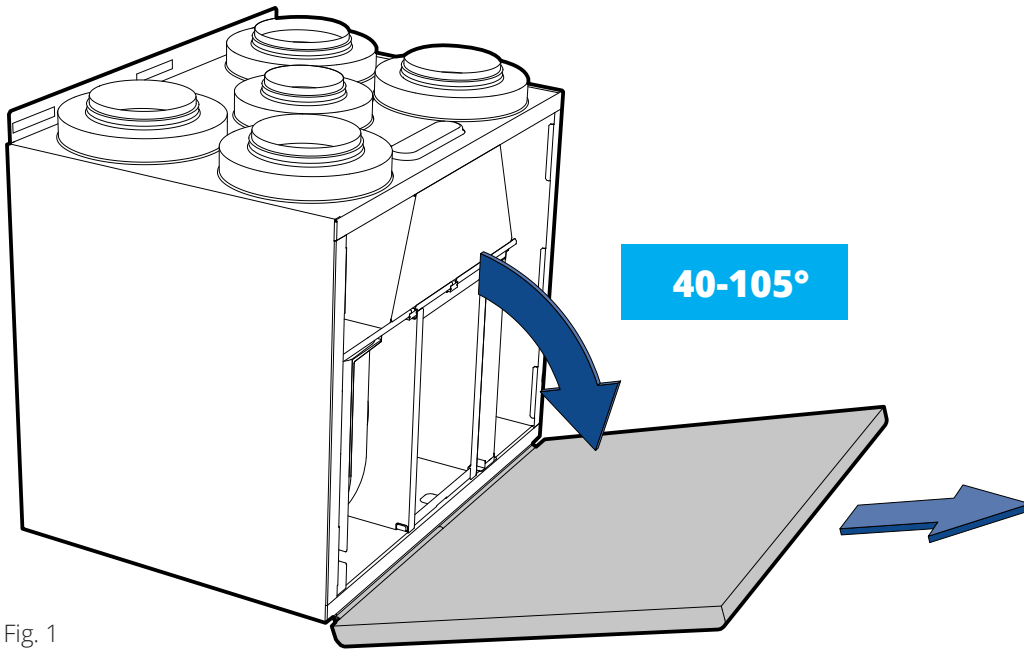


Fig. 1

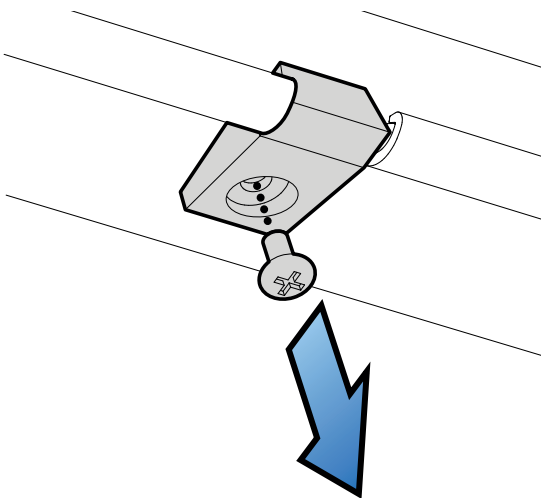


Fig. 2

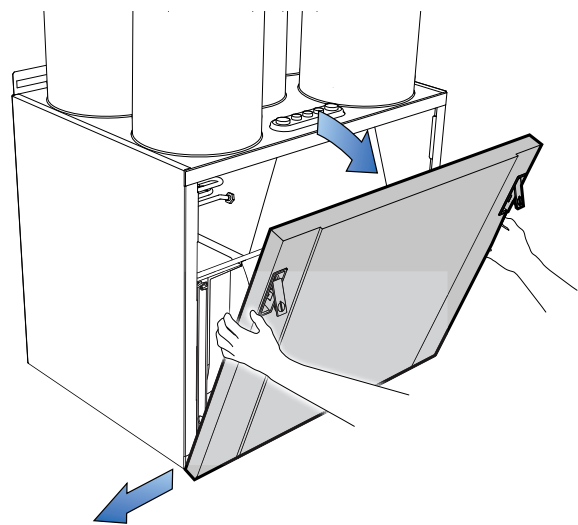


Fig. 3

4. Cleaning and maintenance



DANGER!

The product must be set to service mode and powered off before service is performed. Refer to the user manual for FlexitGO.

4.1. INFORMATION FOR BUYERS AND USERS



Choose a quality filter for an optimal indoor climate!

4.1.1. Selecting filters for residential ventilation units

Flexit residential ventilation units provide homes with fresh, filtered air. Filters play a crucial role in preserving air quality and protecting us from dust, pollution and pollen. Between 1.5 and 2 million cubic metres of air pass through the filter each year, which directly affects the health of those living in the home.

Choose high-quality filters to ensure optimal indoor climate!

4.1.2. The importance of filters in ventilation systems

Filters play a crucial role in ventilation systems. Here are some important considerations:

1. **Air quality:** Filters affects the air we breathe. They remove particles and provide better indoor air quality.
2. **Energy consumption:** Proper filters contribute to lower energy consumption and optimal operation.
3. **Energy labelling:** The product must meet energy efficiency standards to be legal. Incorrect filters may violate labelling requirements according to ecodesign requirements, Eurovent and energy labelling rules.
4. **Service life:** Proper filters help the system last as long as possible, making it both sustainable and environmentally friendly, preserving the value of the home.
5. **Warranty:** Using incorrect filters may affect warranty claims and lead to problems.

4.1.3. Responsibility for choosing the right filter



As the homeowner and system owner, you are responsible for choosing the right filter.

Flexit warns against blindly trusting standard recommendations from filter manufacturers. Our experience shows that this does not always ensure the desired performance.

Choose high-quality filters to ensure optimal indoor climate!

4.1.4. Requirements for filters used in Flexit ventilation units

1. **Filterclass:** The filter must meet the ePM1 50–85% standard for both supply and exhaust air. The supplier must document this through accredited laboratory tests
2. **Service life:** The filter must maintain this class throughout its service life, typically six months but in some cases 12 months. The performance of a new filter alone is not sufficient documentation.
3. **Quality assurance:** The manufacturer must regularly test production to ensure consistent quality. The filter must be tested in Flexit units. Annual documentation of testing procedures and outcomes is also a requirement.
4. **Pressure drop:** To ensure proper function, the filter's pressure drop must be tested and documented in approved laboratories.
5. **Fit and seal:** The filter's fit and sealing around the filter must be tested and documented. There should be no air leakage past the filter.
6. **Eurovent certification:** Note that general Eurovent certification is not sufficient documentation, as results may vary in residential ventilation units.

4.1.5. Known issues with incorrect filter use and warranty claims



Using filters that do not meet the requirements may result in warranty claims being rejected.

Many problems can be traced back to such filters. Users are responsible for the consequences of using the wrong filter quality.

Typical problems with poor filters:

1. **Air quality and health:** The air quality you breathe in the home is crucial. In urban areas, traffic pollution is a problem. The pollen season can also affect indoor climate. That's why it is important to choose a filter that meets health requirements.
2. **Filter quality over time:** Some filters lose quality quickly, especially if they are made of cheap or inadequate materials. This can lead to increased energy consumption and damage to the ventilation unit.
3. **Pressure drop and fans:** Poor filters clog quickly and result in a higher pressure drop. This can increase energy consumption and damage fans and heat exchangers. Poor filters can cause imbalance in the system, leading to moisture problems with condensation and moisture damage in the home.

Remember that Flexit requires documentation of filter performance for warranty claims.

Choose high-quality filters to ensure optimal indoor climate!

4.2. CHANGING THE FILTERS

See important information about correct filter use on the previous page.

How often the filters need to be changed depends on the degree of contamination of the air where they are installed. In general, the filters need to be changed at least once a year, preferably in the autumn (after the pollen season). In areas with a lot of dust and contamination, the filters should be changed in the spring and autumn.



Change both filters (supply air and exhaust air) at the same time.



Make sure that the filter is not damaged during fitting. A damaged filter reduces the unit's power and air purity.



Check that the filter's seal is intact before inserting the filter. Then push the filter properly into place to prevent air leakage.



CAUTION! The unit must not be used without a filter.

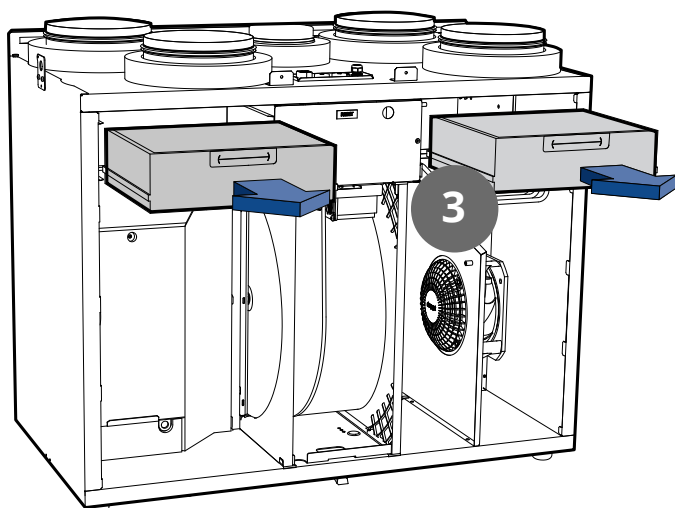
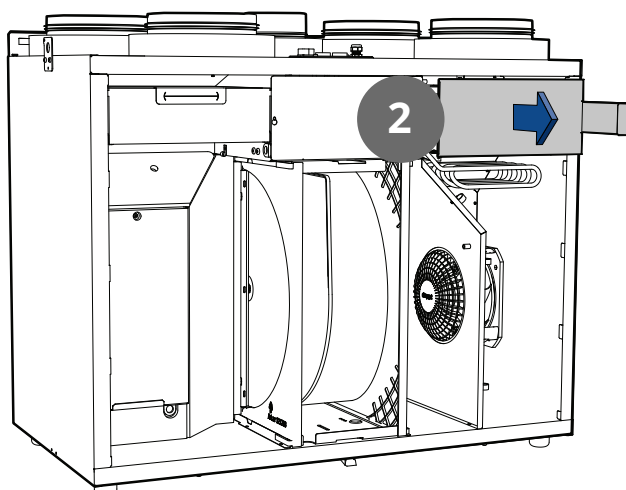
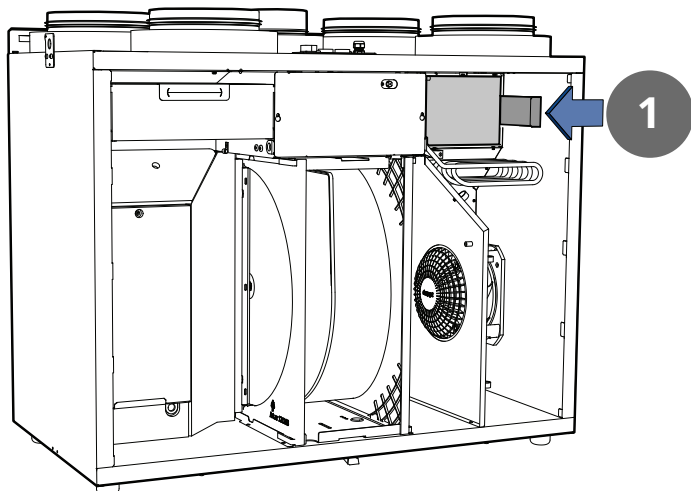


Clogged filters may reduce heat recovery in the ventilation unit and cause humidity damage.

Please note that a complaint may be rejected if you use a filter other than an original Flexit filter. For the right filter, see 'Accessories' under your unit on Flexit's website.

How to remove the filters:

1. Press the outer part of the cover in and pull it to the side.
2. Remove the cover.
3. Grab the handles and pull the filters out.
Insert new filters.



4.3. CLEANING THE FANS

Clean the fans at the time intervals specified in chap. 5. Maintenance table on page 17. Clean the fan blades with a grease solvent on a cloth (e.g. methylated spirits) and compressed air if possible.

NB: Take care that the motor is not exposed to water.

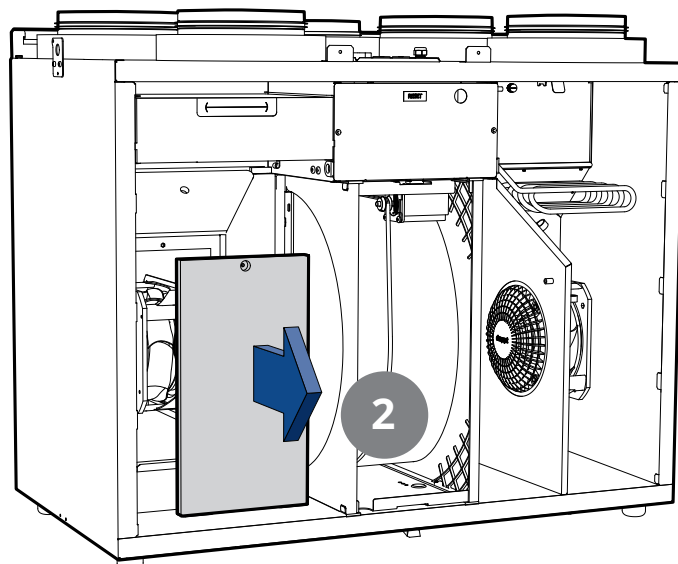
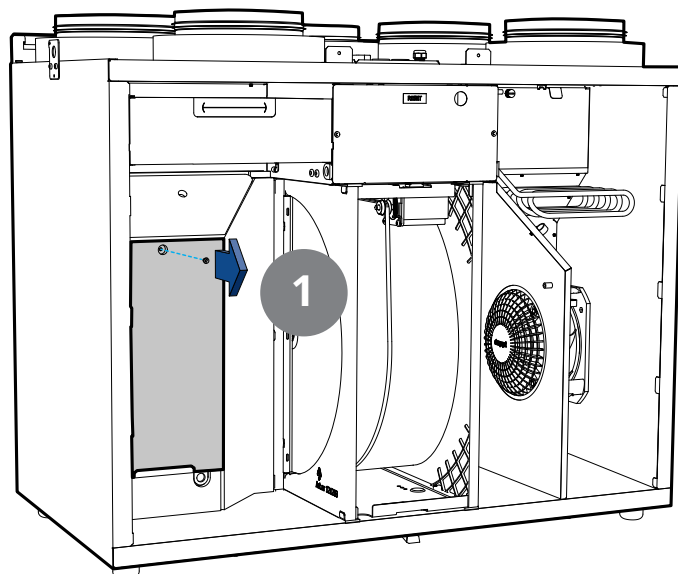


To avoid accidental swapping of the fans, it is recommended that only one fan is switched off at a time.

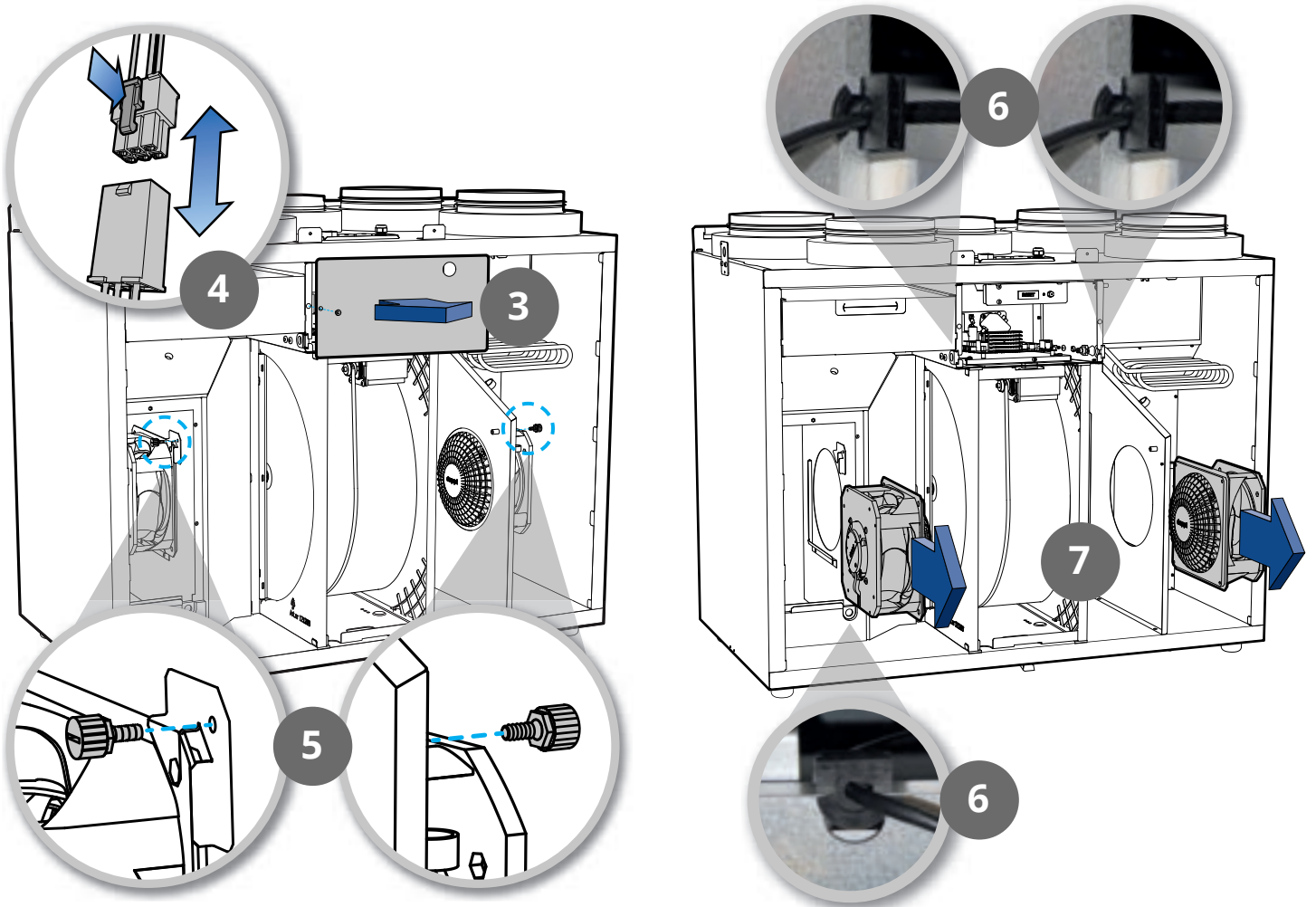
How to remove the fans:


TIP: You will need a T20 

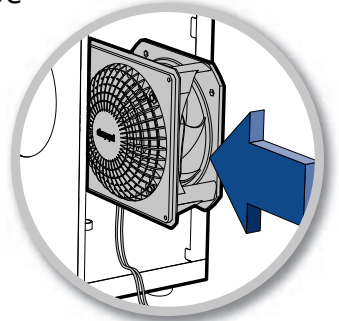
1. Unscrew the screw for the fan compartment cover.
2. Remove the fan compartment cover.



3. Unscrew the screws for the electrical cover and remove the cover.
4. Pull out the electrical quick-connect by pressing it in while pulling the connector parts apart.
5. Unscrew the finger screws for each of the fans.
6. Pull the cable glands for the fans out of the grooves, so that the wires with quick-connects come along.
7. Remove the fans.



 When the fans are reinstalled, the cables must be facing down.




4.4. CHANGING THE BRUSH STRIPS

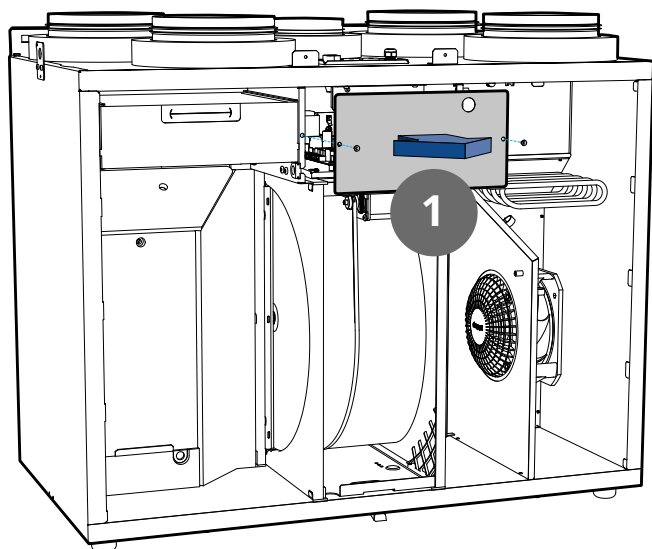
The brush strips become worn over time. If they do not lie tightly against the rotating heat exchanger it may be necessary to change them.

Alternatively, they may be moved closer to the rotating heat exchanger, as the profile they are mounted in has two grooves.

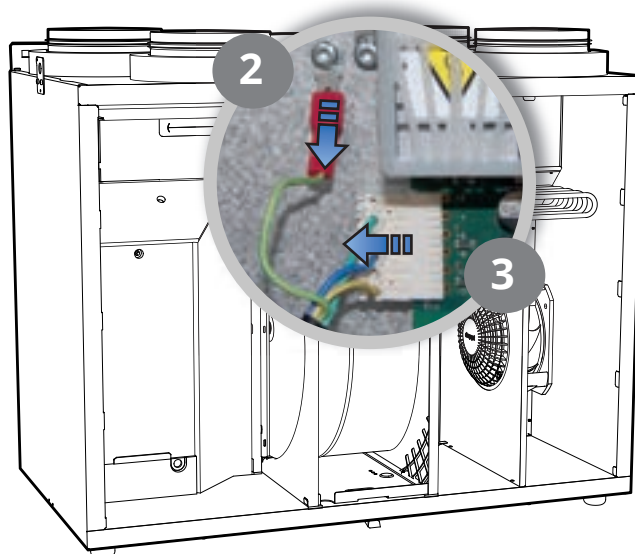
How to proceed:

TIP: You will need a T20 

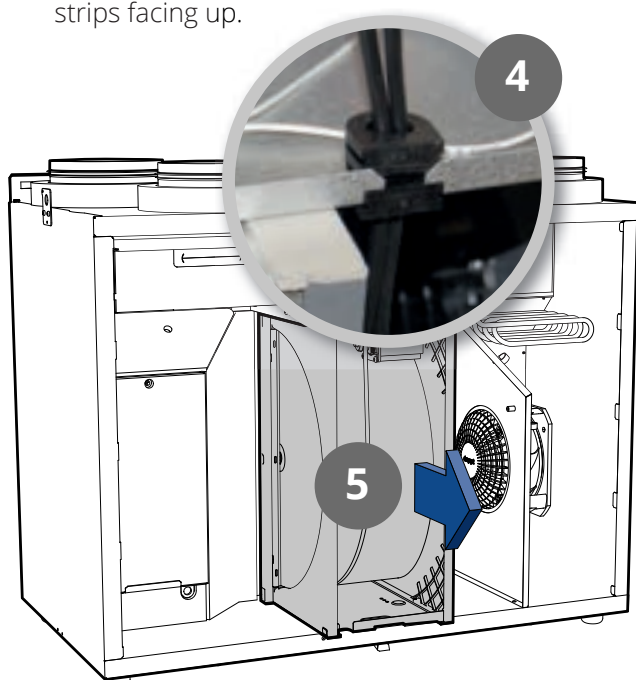
1. Unscrew the screws for the electrical cover and remove the cover.



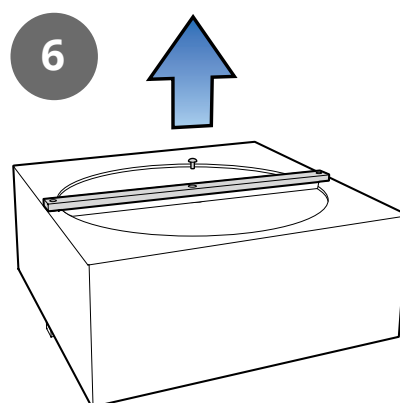
2. Pull out the cable lug to disconnect the grounding on the circuit board.
3. Also, pull out the rotating heat exchanger's quick-connect from the circuit board.



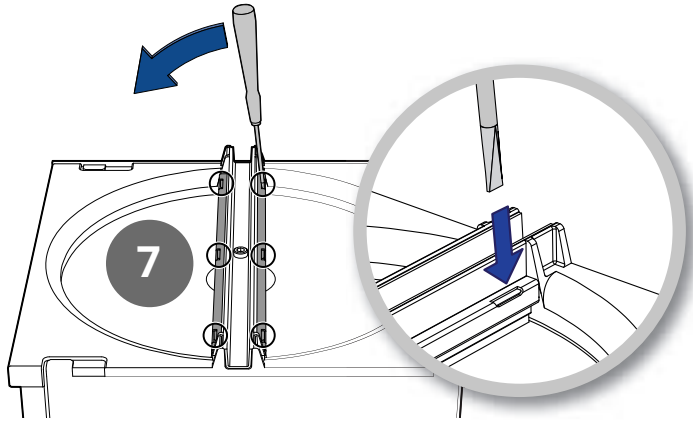
4. Pull the cable gland on the right side over the rotating heat exchanger out of the groove, so that the wire with the quick-connect follows.
5. Pull the rotating heat exchanger module out so that it can be placed with the brush strips facing up.



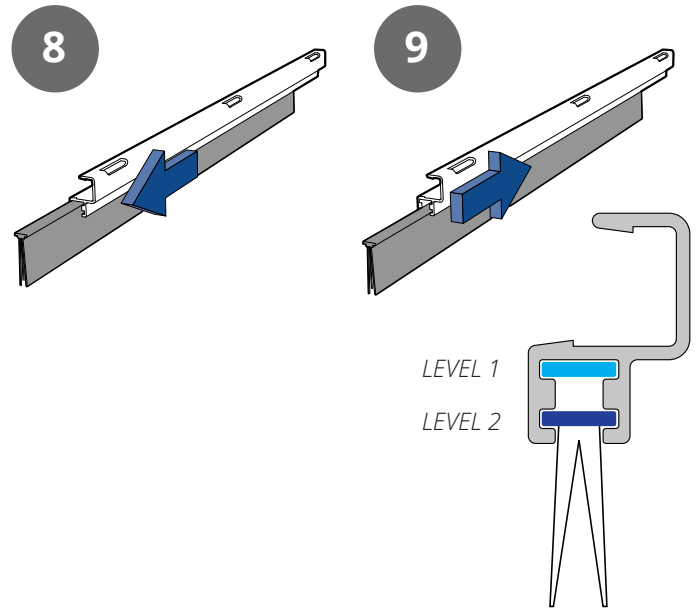
6. Unscrew the screw in the center of the steel profile. Loosen the top part of the sealing strip so that the profile can be removed.



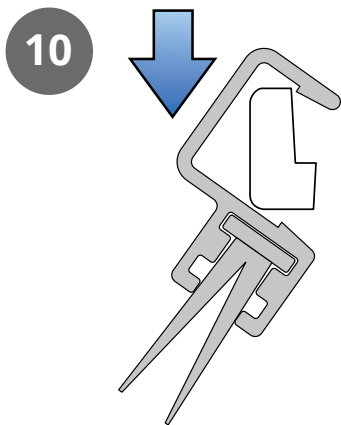
7. Use a screwdriver or similar to pry off the brush strip profiles. There are 4 brush strips on the rotating heat exchanger, 2 on each side. Use a wide screwdriver to get a grip without bending the profile. Start at one end and continue to the other. Carefully lift it step by step.



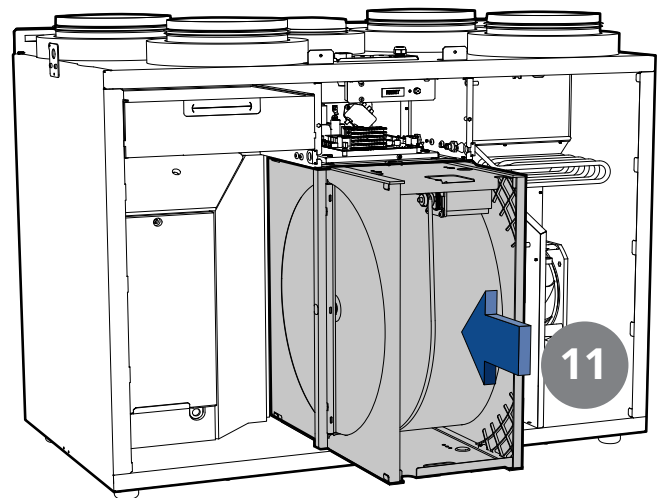
8. Pull the brush strips out of the groove.
9. Move the brush strips down to level 2, or replace them with new ones if they are completely worn out.



10. Press the brush strip profile back into place.



11. Slide the rotating heat exchanger back in.



4.5. CLEANING THE ROTATING HEAT EXCHANGER

A high-impermeability filter is installed in the unit. It is not therefore usually necessary to clean the rotating heat exchanger. If, for any reason, it should still be necessary, dust can be removed with a soft brush. Further cleaning is possible by removing the rotating heat exchanger, spraying it with a grease solvent and then blowing it clean from the opposite side. Distance approximately 60 mm and max. pressure 8 bar. Ensure that the motor is not exposed to water during cleaning. Ensure that all seals around the rotating heat exchanger are intact and tight. Ensure that there is no damage to the rotating heat exchanger belt, and that the rotating heat exchanger rotates freely.

4.6. EXTERNAL CLEANING

Many kitchen surface cleaners contain chemicals that may damage the product's plastic components. Therefore use a soft cloth moistened with warm water and a neutral detergent to clean the outside of the product.



Do not use sharp objects, powerful cleaners or scouring powder, as such products can damage the surfaces.



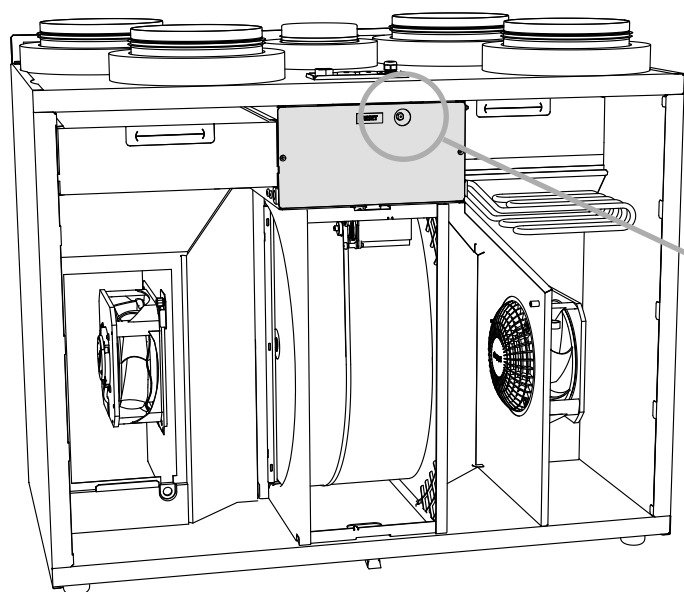
Cleaners containing ammonia or citrus must not be used. Products that give stainless steel an anti-fingerprint coating must not be used either.

5. Maintenance table

Component	Action	Interval
Filter	Filters must be changed at least once a year. It is best to change them twice a year, before and after the pollen season. Check that the filter seal is completely tight. As standard, a maintenance reminder to change the filter will appear every 6 months.	6-12 months
Fans	The fan in a unit connected to a kitchen hood should be inspected once a year. For a fan in a unit that is not connected to a kitchen hood, inspection every 3 years is sufficient. The fans should be cleaned as needed.	12 months 3 years
Recovery system	Check that the surfaces are clean. Check that the sealing strips face in towards the rotary wheel-type heat exchanger. Check that the rotating heat exchanger belt is intact and not too slack.	3 years
Kitchen fan	For a unit with exhaust from a kitchen fan connected: Wash the grease filter. Check that the damper is clean and closes fully.	2 weeks
Seals	Check that the seals on the door, under the filters, on the fan modules and on the rotating heat exchanger module are intact.	12 months
Valves	The supply air and extract air valves (for the bathroom, bedroom, laundry room, etc.) must be cleaned at least once a year.	12 months
Air intake	Check that no leaves or other items have caught in the grille. The air intake can freeze up in winter and should be checked regularly (daily if necessary). If necessary, it must be scraped clean so that the air can pass through.	12 months
Roof cowl	If the unit has a roof cowl, this must be checked for leaves and the like. Also check that the drain slots are open.	12 months
Ducts	Check that the ducts are clean. Clean if necessary.	6 years
Brush strips	Check that the brush strips are intact and sit tightly against the rotating heat exchanger. If they are worn, they can be moved to the next groove in the profile so that they are closer to the rotating heat exchanger.	3 years
Inside unit	A combination of a very low outside temperature and damp extract air can lead to the formation of ice. Normally this will not be a problem – when normal operating conditions return the ice crystals will be converted to steam and removed from the unit via the exhaust air. In the case of extreme cold over extended periods the unit should be checked for ice.	

6. Troubleshooting

Type of fault	Remedial action
Cold draughts	Check which supply temperature has been selected. See control panel.
	Check that the rotating heat exchanger rotates.
	Check that heating comes on.
	New extract filter needed.
Fans not working	Check that power is connected to the unit.
	Check that the overheating thermostat has not cut out.
	Restart the overheating thermostat by pressing the button*. It also has to be reset in the app or on the control panel.
Low air flow rate	Check what speed the unit is set to.
	Check that the filters are tight.
	Check the intake grille.



(left model)

* Reset button

The thermostat (F10) has to be reset manually by pressing the reset button.

7. Complaints



Warranty claims will only be valid if the instructions in the manuals have been followed.

Complaints about this product may be raised in accordance with the applicable terms of sale, **provided that the product has been used and maintained correctly.**

The right of complaint may be voided if the system is used incorrectly or maintenance is grossly neglected.

Complaints as a result of incorrect or defective installation must be submitted to the installation company responsible.

Filters are consumables.

Our products are subject to continuous development and we therefore reserve the right to make changes.

We also disclaim liability for any printing errors that may occur.

8. Waste handling



The symbol on the product shows that this product must not be treated as household waste. It must be taken to a collection point for recycling electrical and electronic equipment.

By ensuring correct disposal of the equipment, you will help to prevent the negative consequences for the environment and health that incorrect handling may entail.

For further information on recycling this product, please contact your local authority, your refuse collection company or the company from which you purchased it.



Flexit participates in the ECP programme for RAHU.
Check ongoing validity of certificate:
www.eurovent-certification.com

The product is listed in the database for building products that can be used in **Nordic Swan Ecolabelled buildings**.



Flexit AS, Moseveien 8, 1870 Ørje, Norway
www.flexit.com